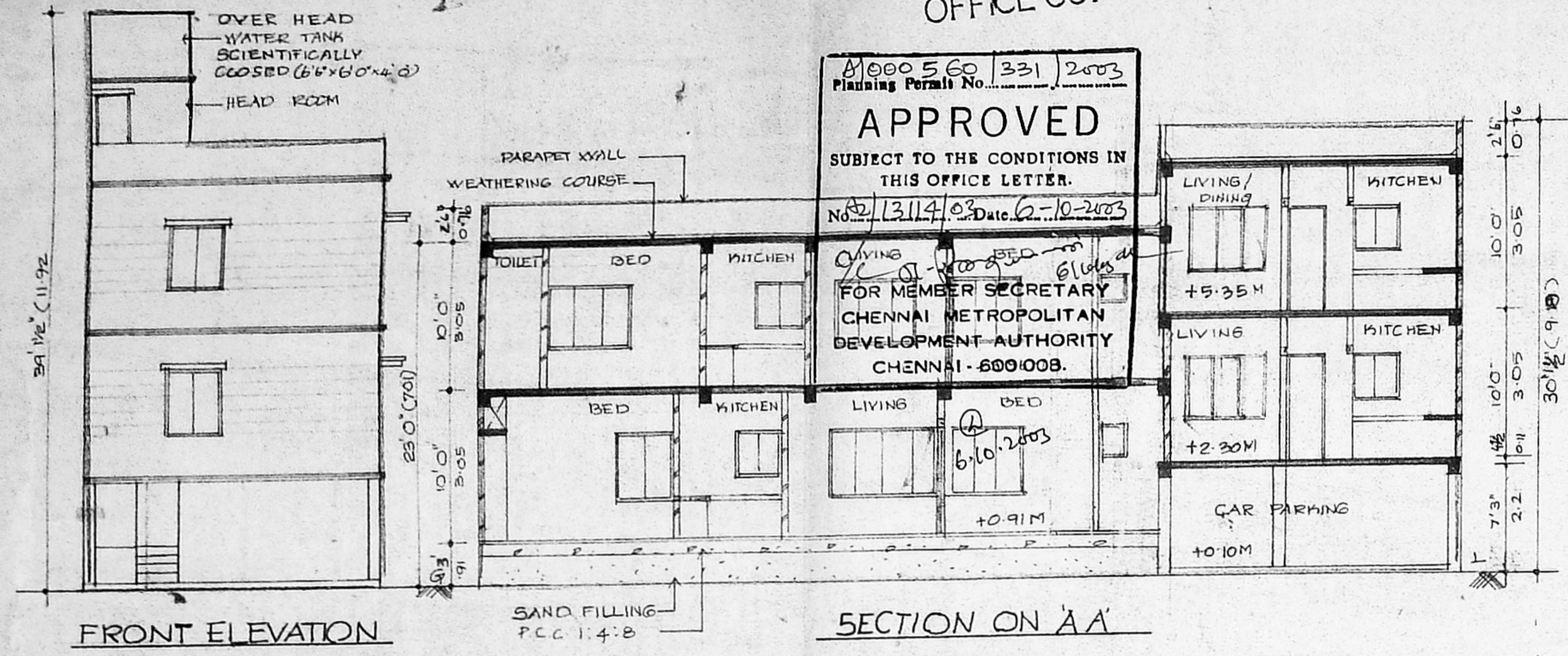


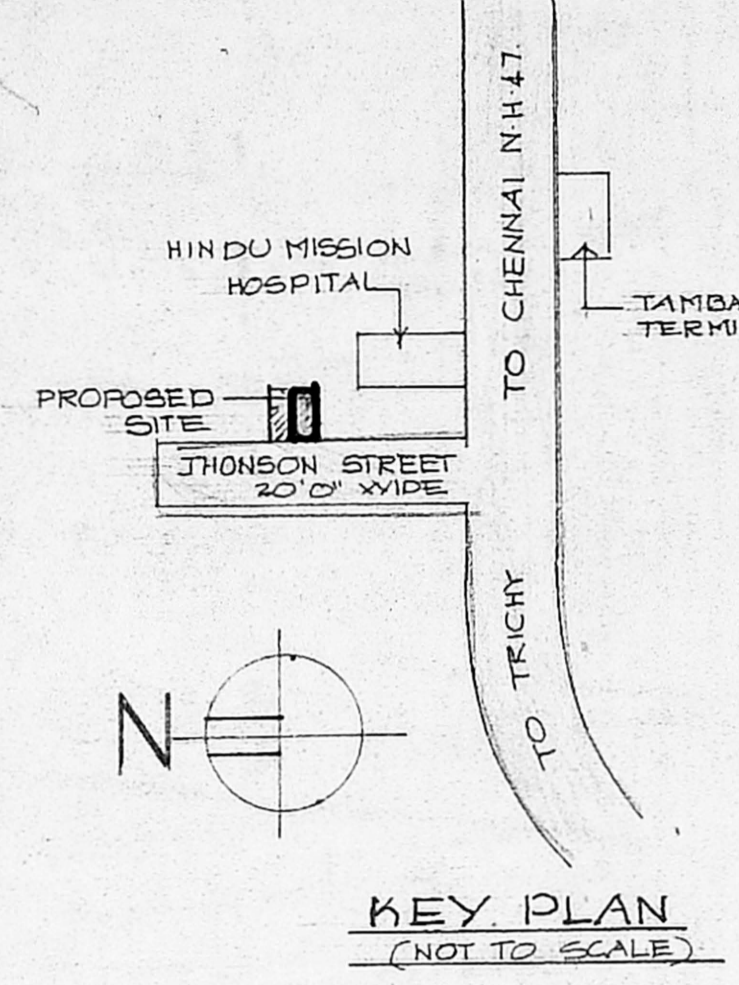
OFFICE COPY

APPROVED
SUBJECT TO THE CONDITIONS IN THIS OFFICE LETTER.
FOR MEMBER SECRETARY
CHENNAI METROPOLITAN
DEVELOPMENT AUTHORITY
CHENNAI - 6001008.

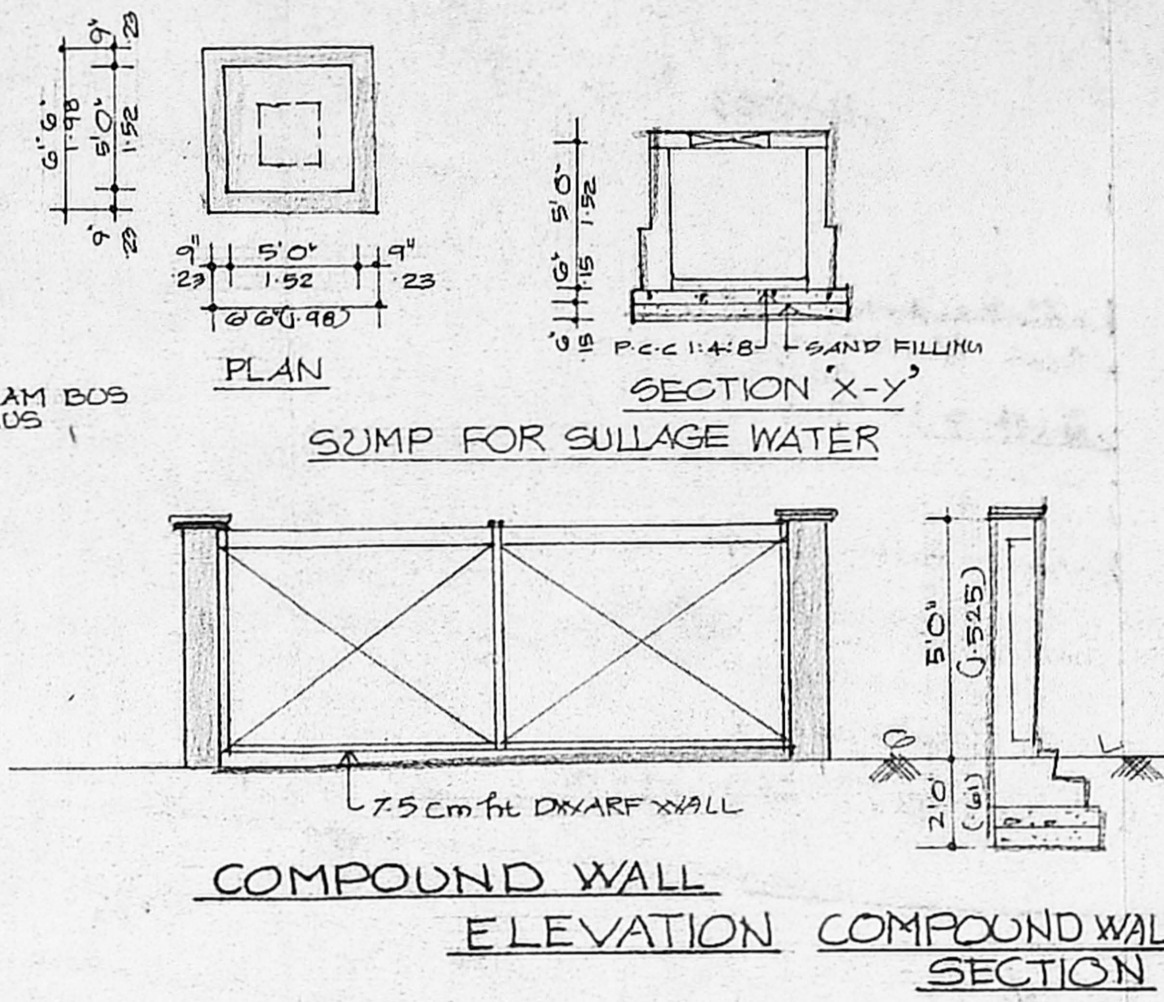


FRONT ELEVATION

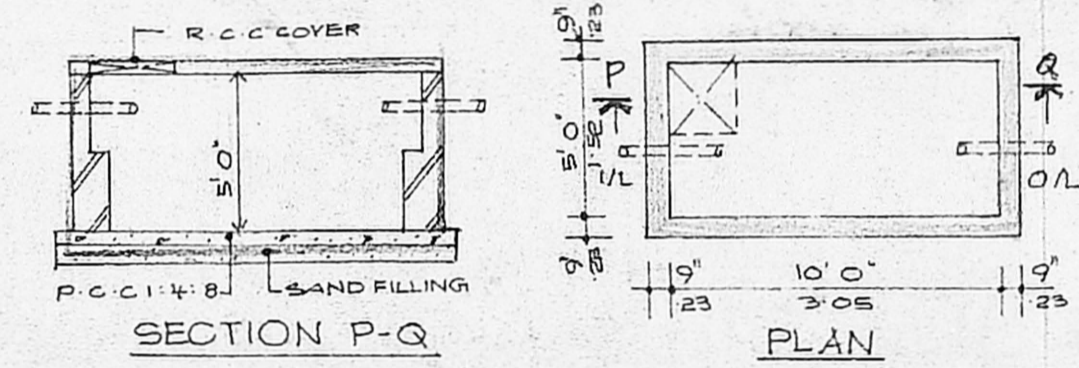
SECTION ON AA'



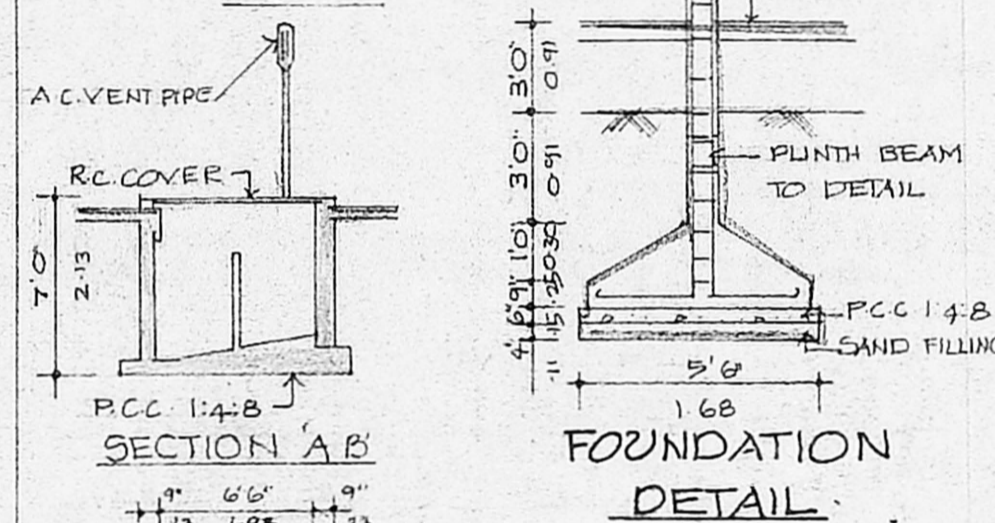
KEY PLAN (NOT TO SCALE)



COMPOUND WALL ELEVATION COMPOUND WALL SECTION



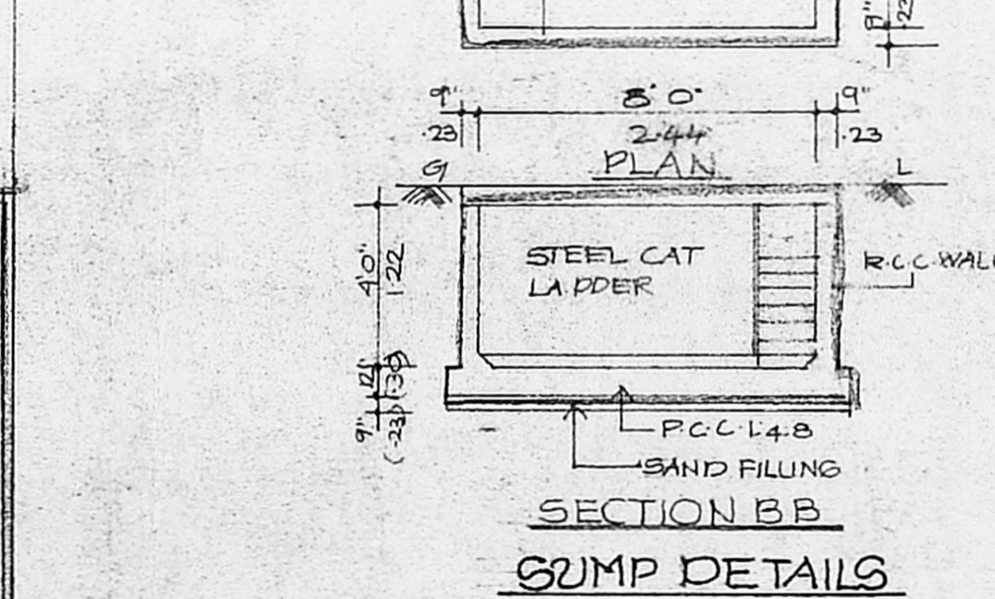
SECTION P-Q PLAN



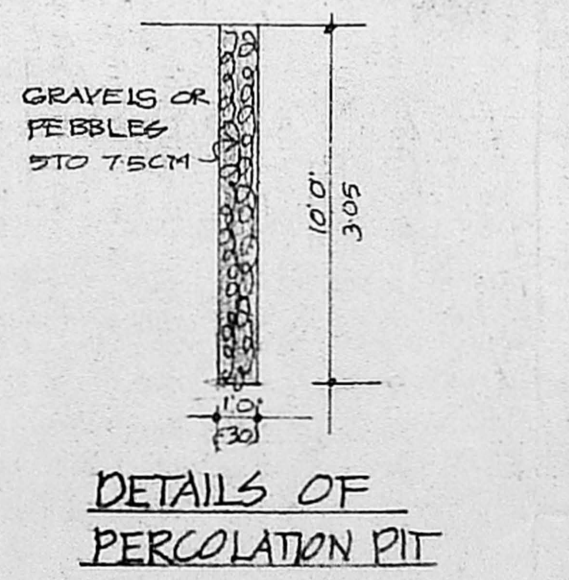
FOUNDATION DETAIL



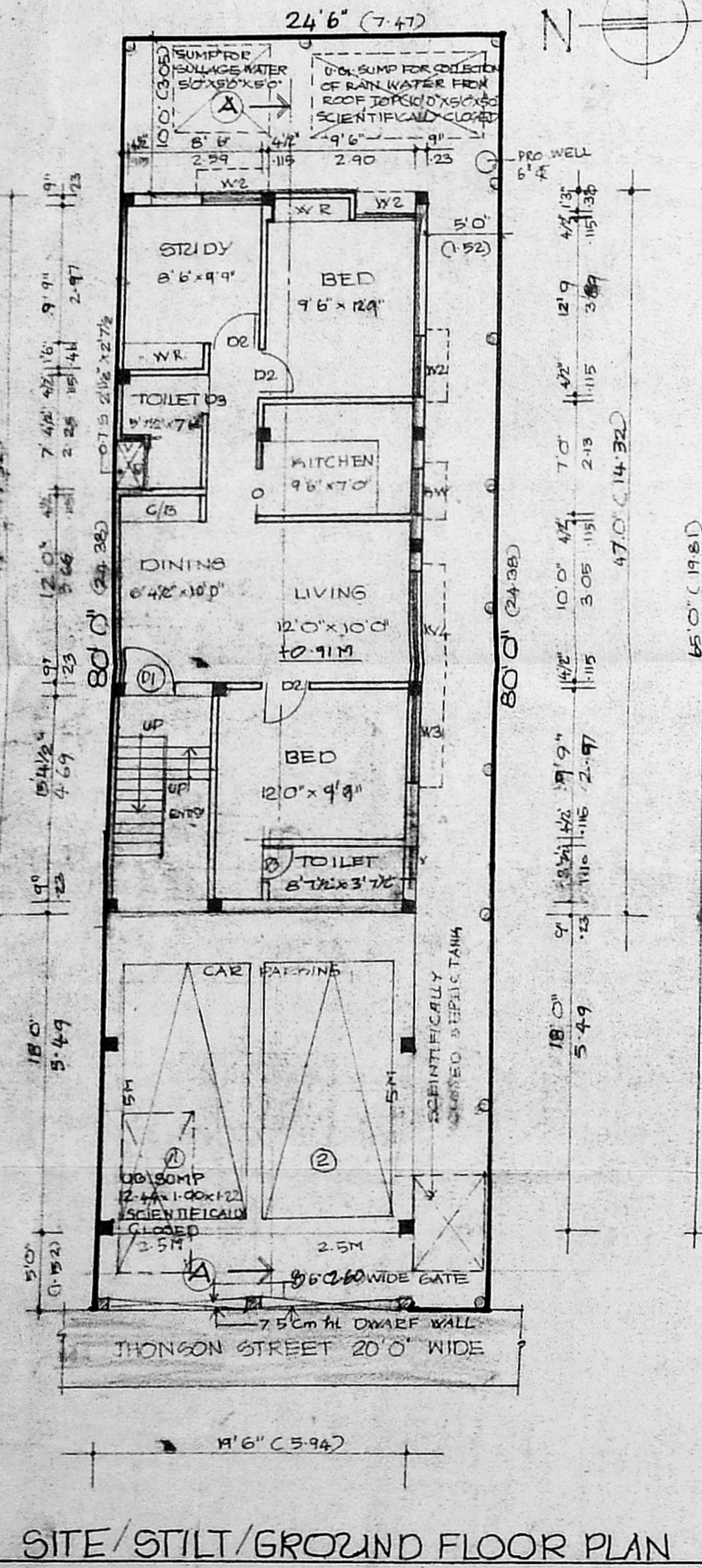
SEPTIC TANK DETAIL



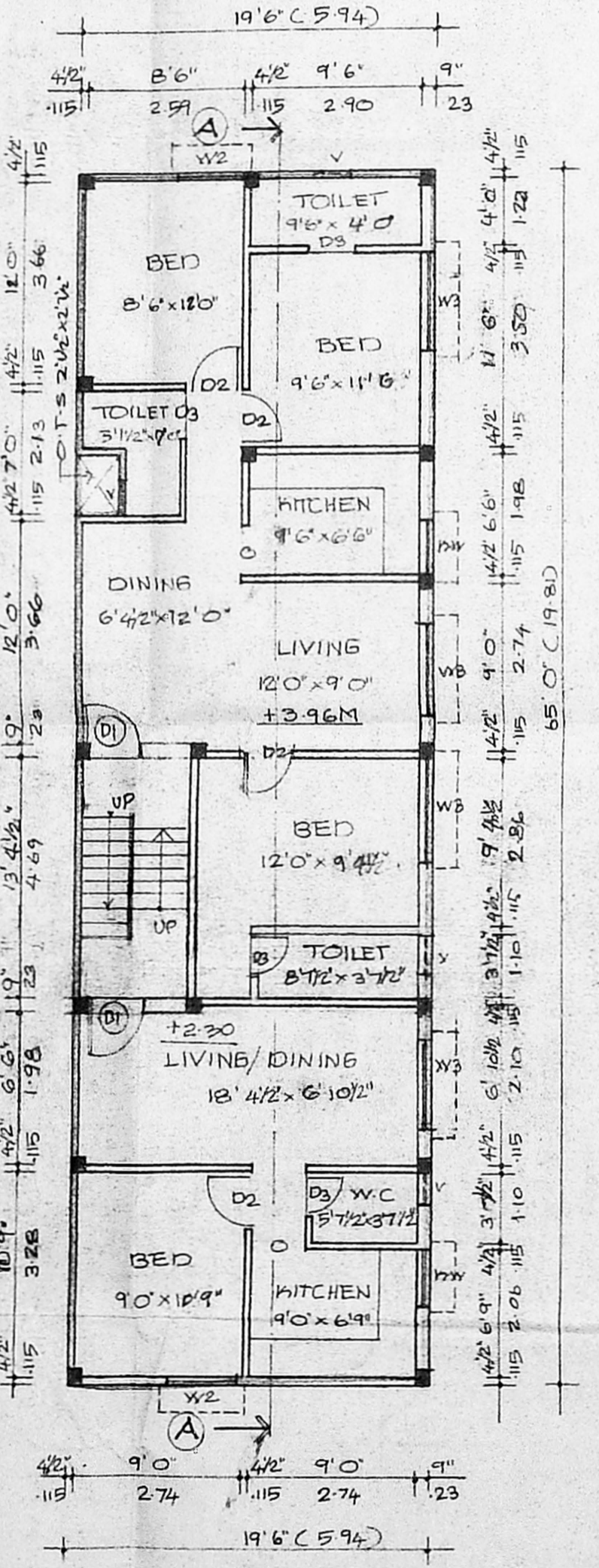
SUMP DETAILS



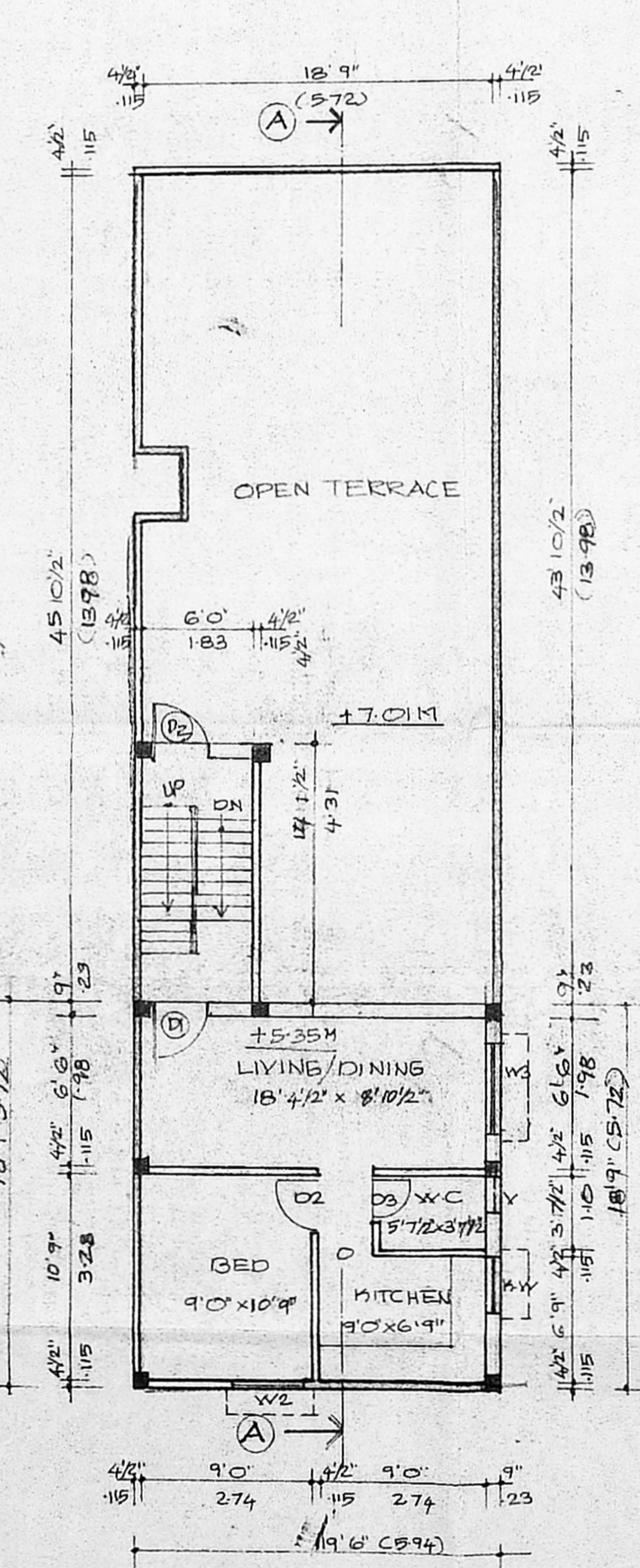
DETAILS OF PERCOLATION PIT



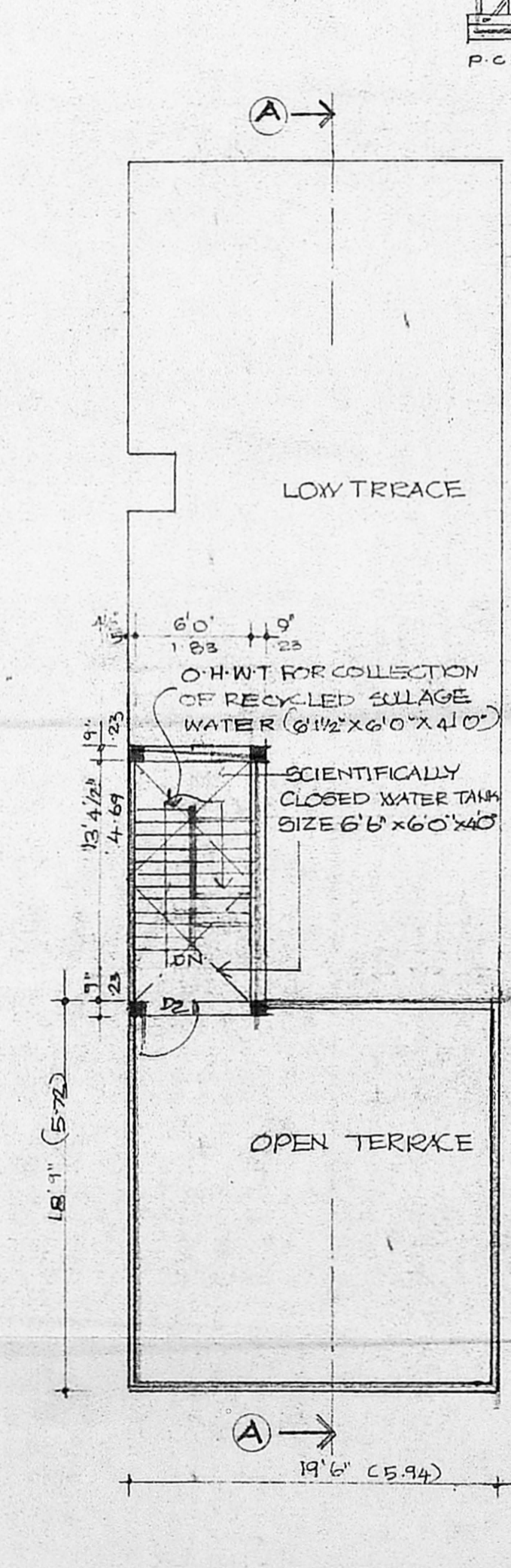
SITE/STILT/GROUND FLOOR PLAN



FIRST FLOOR PLAN



SECOND FLOOR PLAN



TERRACE FLOOR PLAN

SCHEDULE OF JOINERY

DOOR	D1	3'3" x 7'0"	(4'60 x 2'13)
DOOR	D2	3'0" x 7'0"	(3'00 x 2'13)
DOOR	CMDA	"A" CHANNEL	(0'76 x 2'13)
OPENING	C.No. A2	0'16" x 3'0" x 7'0"	(0'71 x 2'13)
WINDOW	W1	2'0" x 7'0"	(0'61 x 1'37)
WINDOW	W2	1'4" x 1'37"	(1'14 x 1'37)
WINDOW	W3	1'68" x 1'37"	(1'68 x 1'37)
WINDOW	W4	1'3" x 4'0"	(2'21 x 1'37)
VENTILATOR	V	2'0" x 2'0"	(2'61 x 0'45)
WINDOW	KW	3'0" x 4'0"	(0'91 x 0'91)

SPECIFICATIONS

- BRICK IN CM 1:5 FOR SUPER STRUCTURE
- R.C.C. 1:2:4 FOR LINTEL PLINTH BEAM COLUMN, ROOF SLAB ETC.
- PLASTERING IN CM 1:4 FOR CEILING AND WALLS
- MOSAIC FLOORING
- WEATHERING COURSE TREATMENT ON TOP
- PLAIN CEMENT CONCRETE 1:4:8

AREA STATMENTS

	SQ. FT.	SQ. M.
SITE EXTENT	1960	182.16
GROUND FLOOR AREA	916.50	85.14
FIRST FLOOR AREA	1267.50	117.75
SECOND FLOOR AREA	472.50	43.90
TOTAL	2656.50	246.79
PLOT COVERAGE	64.7%	
F.S.I	1.35	

COLOUR INDEX

- PROPOSED WORK
- EXISTING ROADS
- SITE BOUNDARY

REFERENCE

DRAWN : A. SHALA
SCALE : 1" = 8'0"
DATE : 28.03.2003
CHKD : M.V.M.

PLAN SHOWING THE PROPOSED RESIDENTIAL AT DOOR NO: 4B, JOHNSON STREET, WEST TAMBARAM, IN S NO: 325/IC 1A 2A 1A2 OF TAMBARAM VILLAGE, CHENNAI-45

TAMBARAM MUNICIPAL LIA
SUB DIVISION APPROVED VIDE
P.P.A. NO: 24/03 DATED 21.04.03
P.P.L. NO: 197/03

OWNER'S SIGNATURE

L. Duraisamy, I.C.E.
LICENSED SURVEYOR CLASS-1
CORPORATION OF MADRAS
AMBATTUR MUNICIPALITY
43, ANNA NAGAR, MADRAS-60
LICENSED SURVEYOR